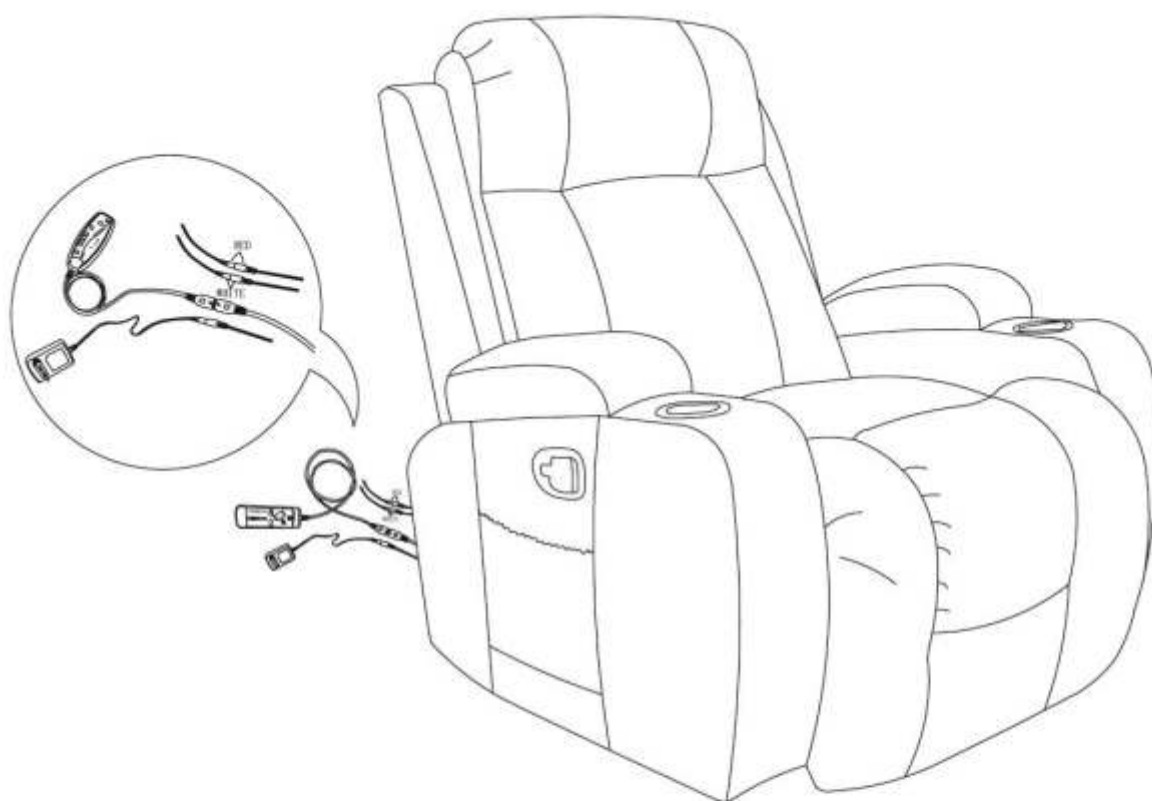
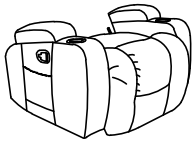

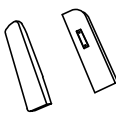
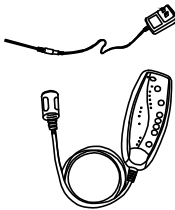


RECLINER CHAIR WITH FUNCTION OF MASSAGE

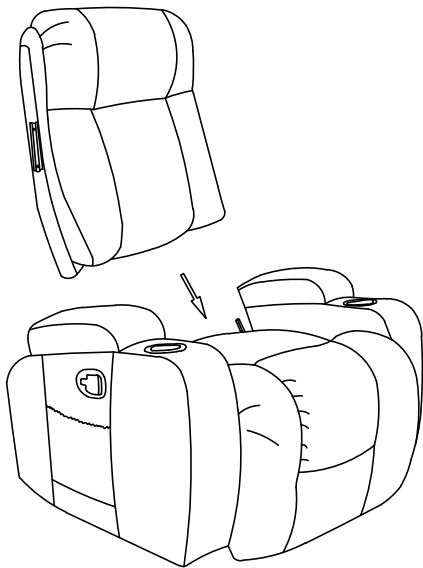


BOX (8016A30)

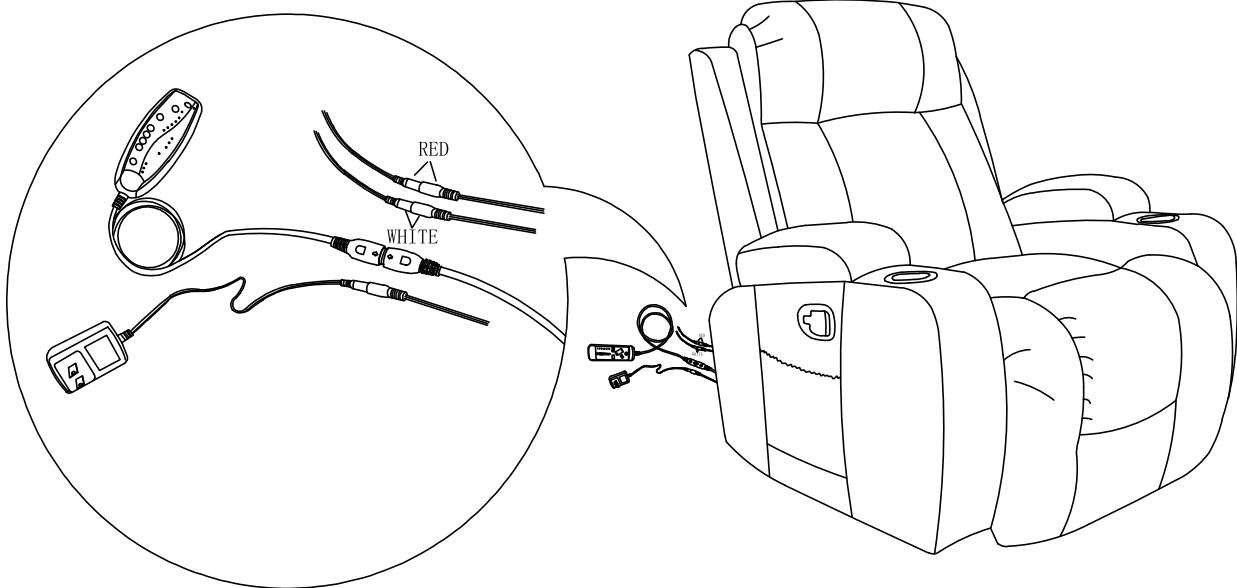
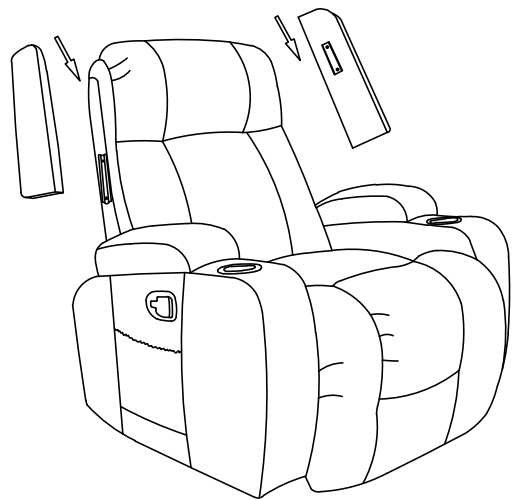
ASSEMBLY INSTRUCTIONS

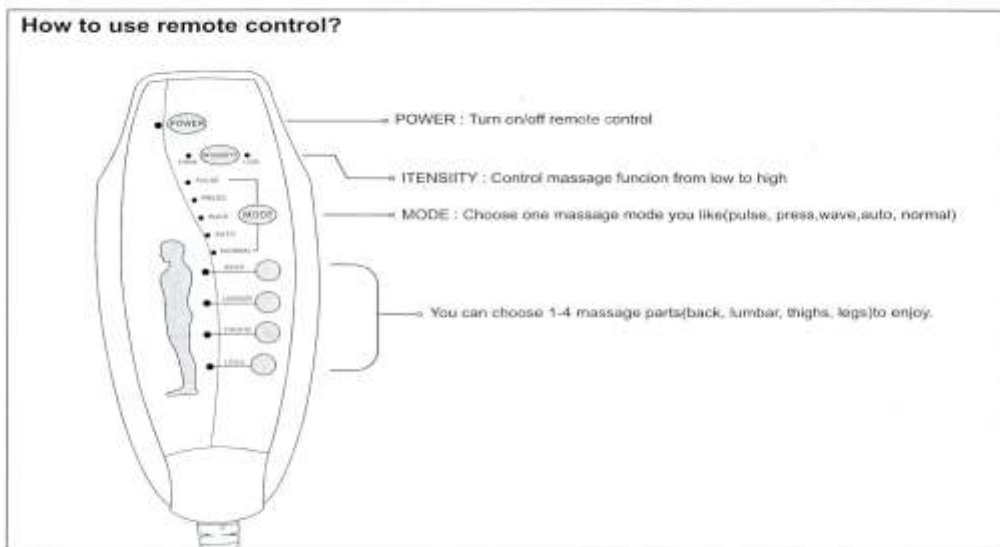
A*1	B*1	C*2	D*1
			

STEP 1:



STEP 2:





ENG: SAFETY AND MAINTENANCE IMPORTANT SAFETY WARNINGS

- Keep children away from moving parts.
- Use an appropriate and properly grounded power source.
- To ensure greater safety, before each cleaning or maintenance, Connect the cable from the outlet after each use.
- Use it only as instructed.
- Use only original accessories.
- Use it only indoors.
- Read the manual before first use.
- Misuse is strictly prohibited.
- Recommended massage length: 60 minutes.
- Never use it if the skin is damaged or worn.
- Never use it if the covers or other components are damaged or worn.
- Never put any liquid objects on the chair.
- Do not sleep in an armchair.
- Do not use it under the influence of alcohol or drugs.
- Use it one hour after a meal.
- Do not exceed the intensity of the massage to avoid injury.
- Place it on a flat, clean and dry surface. Maintain a safety interval at least 0,2 m of the wall for this device.
- stand up after the footrests are folded.
- Maximum user weight: 125 kg

USAGE ENVIRONMENT

- Avoid high temperatures and humidity (do not use it in the bathroom, etc.).
- Do not use it when the ambient temperature has changed sharply.
- Do not use it in a dusty or dirty place.
- Provide adequate ventilation and free space around the chair.

THE CHAIR IS NOT SUITABLE FOR SAFETY

Check the correct voltage before using. Never use the core or cable with wet hands. Protect the chair from water to avoid electric shock or damage to the product. Protect the wires and do not modify the electrical circuit. Never use a damp cloth to clean electrical parts (adapter etc.) If the power supply is interrupted, care should be taken to avoid electric shock when it will start again. If the chair does not work properly, stop using it and contact the service. If you do not feel well, stop using and consult a doctor.

MAINTENANCE

Maintenance must be carried out only by a specialist or professional service. It should not be disassembled or modified. Remove it from the outlet after each use. Do not use it if the cable, outlet or socket is damaged. Before long storage, roll up the cord and hide the chair in a dry and clean place. Avoid temperature extremes, fire and heat sources. Protect it from direct action Sunlight. Clean the device only with a dry cloth. Never use solvents, gasoline or Alcohol. Due to the special design, mechanical parts do not require additional maintenance. Do not move it on an uneven surface. Before transportation, pick it up and transport it. Do not use it for too long continuously. Take breaks.

TROUBLESHOOTING

- This is normal, during use you can hear the sound of the engine.
- If the seat does not work, check the connection of the power cord and the circuit breaker.